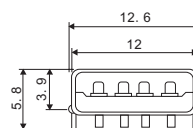
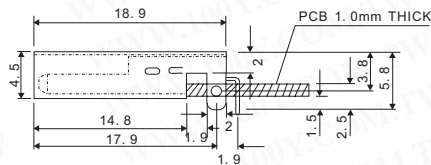
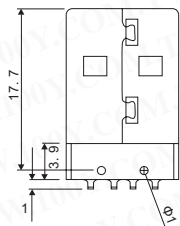




# USB Connector Series

Detailed product specifications are available on: [us.100y.com.tw](http://us.100y.com.tw)



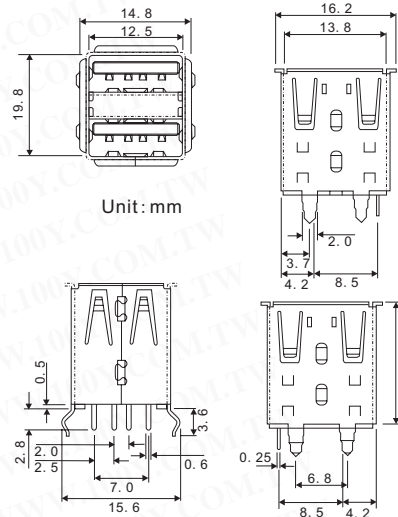
Unit: mm

Part No.	Product No.	Description
18931	KS-001MD-A-N-B	USB Jack (DIP)



### SPECIFICATION

- Contact resistance: before life test: 30m ohm. max  
after life test: 50m ohm. max
- Insulation resistance: 1000M ohm min
- Withstand voltage: 500V AC applied between adjacent open terminals for one minute without breakdown
- Rated voltage and current: 1.5A at 250VAC minimum
- Dielectric withstanding voltage: 750V AC/1minute without breakdown
- Insertion force: 35 Newtons maximum
- Extraction force: 10 Newtons minimum
- Housing: Material: P. B. T. G. F.  
Material: White or black color
- Shell: Material: brass t: 0.3mm  
Finish: Tin or Nickel plated



Unit: mm

Part No.	Product No.	Description
18932	KS-002K-A1-N-W	USB Jack DIP (180°)



Part No.	Product No.	Manufacturer	Description
28099	UB-23	SCE	USB Adaptors A female-A female



### RATINGS

- Voltage: 3.0V AC (rms)
- Current: 1A maximum per contact not to exceed  
30oC temperature rise
- Temperature: -40°C to 60°C
- Storate: 0°C to 40°C operating

### ELECTRICAL

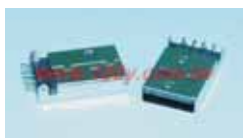
- Termination resistance: 30mΩ maximum
- Insulation resistance: 1000MΩ minimum
- Dielectric withstanding: 750V AC at sealevel  
2pF maximum

Part No.	Product No.	Description
22041	USB SERIES A USA-04	USB-A SMT 04P/ 2.0



USB adapter for USB A type female to A type female

Part No.	Product No.	Description
17582	USB-ADP-AF/AF	USB Adaptors

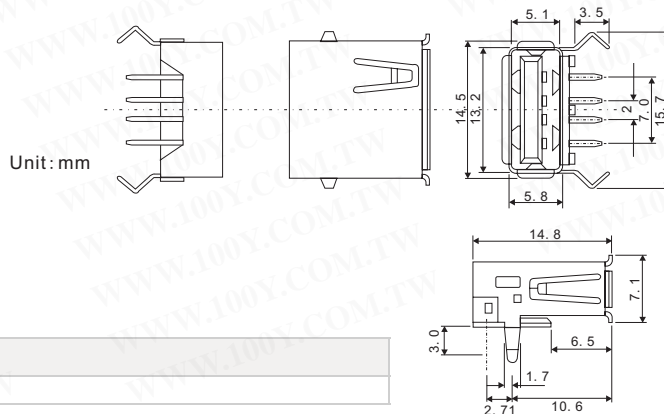


### MATERIAL

- Housing: thermoplastic, UL 94V-0  
standard Nylon 66
- Contact: phosphor bronze

### SPECIFICATION

- Current rating: 1Amp
- Insulation resistance: 1,000 Megohms min
- Contact resistance: 20 milliohms max
- Dielectric withstanding voltage: 500V AC
- Temperature: -40°C~+105°C



Unit: mm

Part No.	Product No.	Description
16916	USBAS-00401B012	USB CONNECTOR SERIES

