



9007, 9008(ψ2.36) Series

Detailed product specifications are available on: us.100y.com.tw

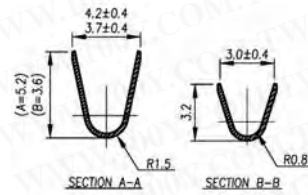


TERMINAL

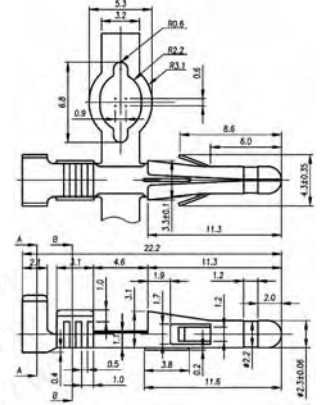
- Material: 0. 25T, brass
- Plating: copper-undercoated, tin-plated
- Wire range: suitable for AWG#16~#26

HOUSING

- Material: Nylon 66, UL94V-0 V-2
- Pitch 9007 P(R) H, 9008 P(R) H: 5. 03 (. 198")
- 9007-1 P(R) H, 9008 P(R) H: 6. 7 (. 264")
- Circuits: 1, 2, 3, 4, 5, 6, 9, 12, 15
- Receptable housing mates with PT 9007
- Plug housing mates with PT 9008



Unit: mm



Part No.	Product No.	Description
14948	T-9007-B3T103	9007T1 Tin Lead-Plated (18-24AWG) BRASS C2680R-4(male pin)

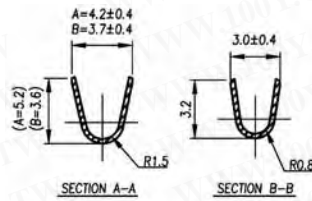


TERMINAL

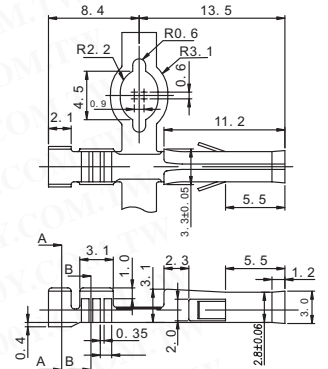
- Material: 0. 25T, brass
- Plating: copper-undercoated, tin-plated
- Wire range: suitable for AWG#16~#26

HOUSING

- Material: Nylon 66, UL94V-0 V-2
- Pitch 9007 P(R) H, 9008 P(R) H: 5. 03 (. 198")
- 9007-1 P(R) H, 9008 P(R) H: 6. 7 (. 264")
- Circuits: 1, 2, 3, 4, 5, 6, 9, 12, 15
- Receptable housing mates with PT 9007
- Plug housing mates with PT 9008



Unit: mm



Part No.	Product No.	Description	M/F Socket/ Head	Pitch	Recive Head/YES
14949	T-9008-B3T100	CONTACT 9008T1 Tin Lead-Plated BRASS C2680R-H(母 pin)	Female	2.36	YES

5015, 5016 Series. Mate-N-Lok Male Female Connector & Crimp Terminal

Detailed product specifications are available on: us.100y.com.tw

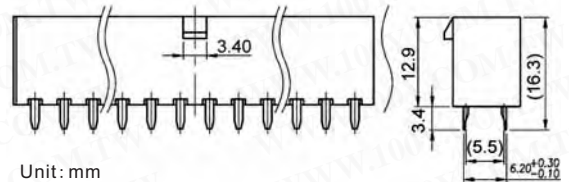
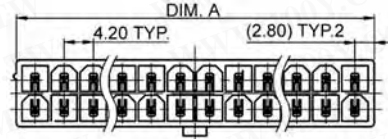


NOTES

- Material: Nylon 66+brass
- Finish: Tin plated or gold plating

Part No.	Product No.	DIM. A
6101	G17-20P	--

Part No.	Product No.	Description	Angle°	Type	Pins
17167	G17-06P	5015A p:4.2mm Mate-N-Lok Male Connector-20P	180°	Male	06P
40101	G17-06P-R	5015A p:4.2mm Mate-N-Lok Male Connector-06P	90°	Male	06P
6101	G17-20P	5015A p:4.2mm Connector-20P	180°	Male	20P

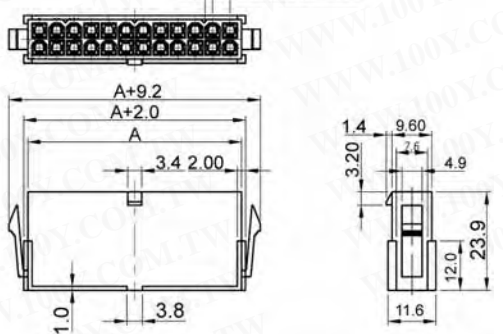


Unit: mm



Part No.	Product No.	DIM. A
12548	P-5015-N2W202B1	5. 6
12549	P-5015-N2W204B1	9. 8
15497	P-5015-N2W206B1	14. 0
12550	P-5015-N2W212B1	26. 6
12554	P-5015-N2W220B1	43. 4

Part No.	Product No.	Description	Angle°	Type	Pins
17168	G18-06P	5016A p:4.2mm Mate-N-Lok Male Connector -20P	180°	Female	06P
12548	P-5015-N2W202B1	5015RH-Mate-N-Lok Male Connector	180°	Female	2P
12549	P-5015-N2W204B1	5015RH-Mate-N-Lok Male Connector	180°	Female	4P
15497	P-5015-N2W206B1	5015RH Mate-N-Lok Male Connector	180°	Female	6P
16219	P-5015-N2W208B1	5015RH-Mate-N-Lok Male Connector	180°	Female	8P
16433	P-5015-N2W210B1	5015RH-Mate-N-Lok Male Connector	180°	Female	10P
12550	P-5015-N2W212B1	5015RH-Mate-N-Lok Male Connector	180°	Female	12P
12554	P-5015-N2W220B1	5015RH-Mate-N-Lok Male Connector	180°	Female	20P



Unit: mm

