



PCB Type Centronics Sockets- PCB Mounting

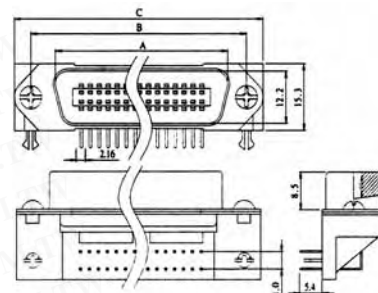


Position	A	B	C
14M	25.50	36.00	43.90
24M	36.30	46.80	54.70
36M	49.30	59.70	67.70
50M	64.40	74.90	82.80

Part No.	Product No.	Description	Contacts	Angle
4392	E25-24P	PCB Type Centronics Sockets- PCB Mounting	24P	90°
4393	E25-36P	PCB Type Centronics Sockets- PCB Mounting	36P	90°
4394	E25-50P	PCB Type Centronics Sockets- PCB Mounting	50P	90°

Detailed product specifications are available on: us.100y.com.tw

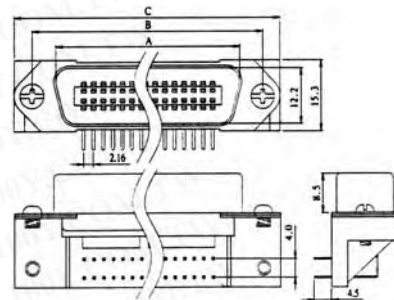
Unit: mm



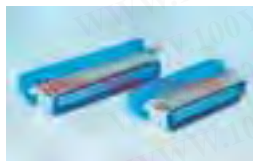
Position	A	B	C
14M	25.50	36.00	43.90
24M	36.30	46.80	54.70
36M	49.30	59.70	67.70
50M	64.40	74.90	82.80

Part No.	Product No.	Description	Contacts	Angle
4391	E26-24P	PCB Type Centronics Sockets- PCB Mounting	24P	90°
4389	E26-36P	PCB Type Centronics Sockets- PCB Mounting	36P	90°
11138	E26-50P	PCB Type Centronics Sockets- PCB Mounting	50P	90°

Unit: mm



IDC Centronics Plugs and Sockets

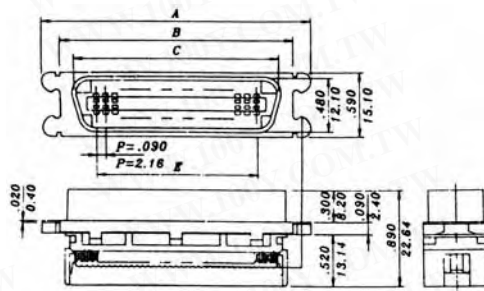


Product No.	A	B	C	D	E
E27-24P	48.6	40.4	36.3	35.5	22.85
E27-36P	61.6	53.4	49.2	50.8	36.72
E27-50P	76.4	68.2	64.8	68.6	51.84

Part No.	Product No.	Description	Contacts
4385	E27-24P	C-Type Centronics Plugs and Sockets	24P
4386	E27-36P	IDC Centronics Plugs and Sockets	36P
4387	E27-50P	IDC Centronics Plugs and Sockets	50P

Detailed product specifications are available on: us.100y.com.tw

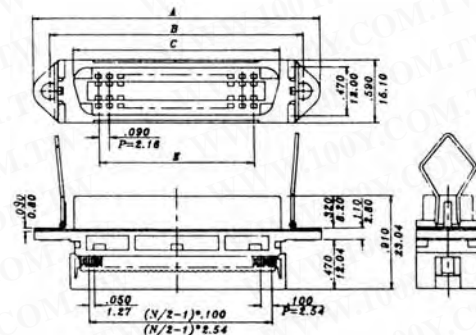
Unit: mm



Product No.	A	B	C	D	E
E28-24P	54.7	46.8	35.6	35.6	23.76
E28-36P	67.7	59.7	48.8	50.8	36.74
E28-50P	82.8	74.9	64.3	68.6	51.84

Part No.	Product No.	Description	Contacts
4388	E28-24P	IDC Centronics Plugs and Sockets	24P
4046	E28-36P	IDC Centronics Plugs and Sockets	36P
4441	E28-50P	IDC Centronics Plugs and Sockets	50P

Unit: mm



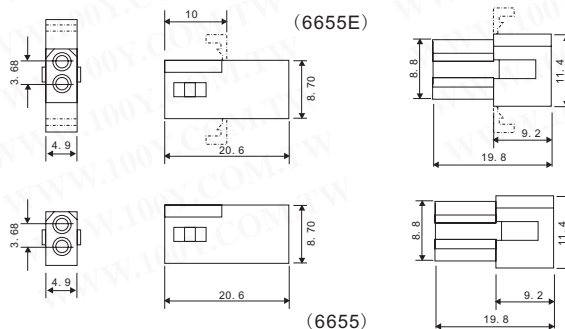
Wire To Wire Connectors & Cable Power Connector + Terminal For Car



- Material: Nylon 66 UL94V-2
- Current Rating: AC, DC, 10A
- Voltage Rating: AC/250V, DC/350V
- Withstand Voltage: 1,000V AC/Minute
- Temperature Range: -25°C To +85°C

Detailed product specifications are available on: us.100y.com.tw

Unit: mm



Part No.	Product No.	Description
7838	0128B/C	2P Car Power Cable

