

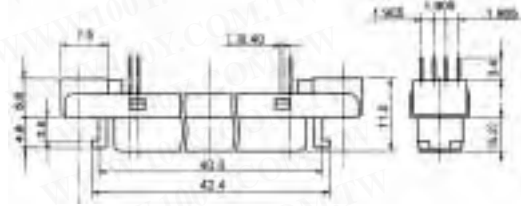


PCB Mounting Half Pitch SCSI Connectors

Detailed product specifications are available on: us.100y.com.tw



- Current: 0. 5A
- Voltage: AC150V/DC200V
- Environmental temperature: -55°C~85°C
- Insulation resistance: >500MΩ



Part No.	Product No.	Manufacturer	Description	No. of ways	HC/HD Type	Angle
12793	10250-6212JL	3M	3M_Mini Delta Ribbon Connector, Boardmount Thru Hole Vertical Receptacle	50P	HC	180°
3 4324	10250-6212VC	3M	3M_Mini Delta Ribbon Connector, Boardmount Thru Hole Vertical Receptacle	50P	HC	180°



- No. of contacts: ribbon type: 14, 20, 26, 36, 50
- Pin type: 50, 68
- Pin contacts: phosphor bronze/gold plated
- Bracket: nickel plated

Part No.	Product No.	Description	No. of ways	HC/HD Type	Angle
20055	DHD-68SR	HARPOON FEMALE 68P GOLD FLASH NI PLAT	68P	HD Type	90°
11967	SCSRH-F4001N000	HARPOON FEMALE 40P GOLD FLASH NI PLAT	40P	HD Type	90°



- Contact type: ribbon
- Contact plating: gold flash
- Shell plating: ni plating

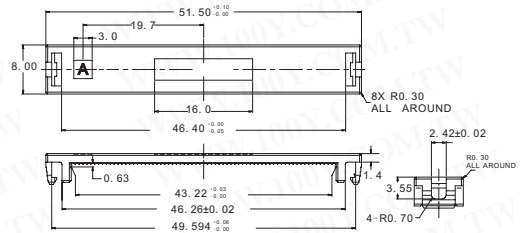
Part No.	Product No.	Description	No. of ways	HC/HD Type	Angle
12087	SCSRR-F2001N000	HC-Type FEMALE	20P	HC-FEMALE	90°

Half Pitch SCSI Connectors

Detailed product specifications are available on: us.100y.com.tw



- Temperature range: -55°C to 105°C
- Current rating: 0. 5AMP
- Dielec. W. Voltage: 500vdc for 1 minute
- Insulator resistance: 1000megohms min



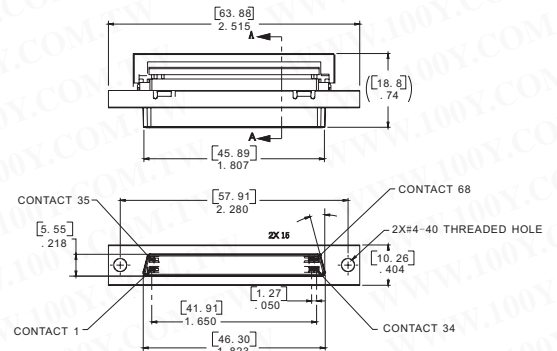
Part No.	Product No.	Description	No. of ways	HC/HD Type
10026	68LDP-A-P-1	Half Pitch SCSI Connectors HD68F	68P	Male



SPECIFICATION

- Material
- Insulator: PBT & glass fiber reinforced UL94V-0
 - Contacts: phosphor bronze
 - Shell: zinc alloy

Part No.	Product No.	Description	No. of ways	HC/HD Type
12236	CA-68MDS-A-0	Half Pitch SCSI Connectors HD68F	68P	Female



- We provide a wide range of products to development and maintenance engineers in all type of business
- If you cannot find the components you want on the catalogue, please call us.

Taiwan: 886-3-5753170

Shanghai: 021-54151736 Shenzhen: 0755-83298787

Centenary Materials

Waiting for your phone call

