



PLS-24 Series- Industrial Circular Connectors & Accessories

Detailed product specifications are available on: us.100y.com.tw

No. of contacts	10
Contacts Configuration	
Rated current/voltage	10A 250V
Operation limit voltage (AC. V. rms)	250
Withstanding voltage (AC. V. rms) 1 minute	1000
Insulation resistance (MΩ MIN.) at DC 500V	2000
Contact resistance (MΩ MAX.) at DC 1A	3
Pin diameter (Φmm)	1.6

- Centenary materials is your best choice
- We provide a wide range of product
- Welcome you join us!

Taiwan: 886-3-5753170

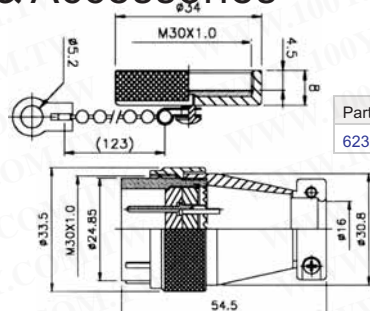
Shanghai: 021-54151736 Shenzhen: 0755-83298787

Centenary Materials

Waiting for your phone call

PLS-28 Series- Industrial Circular Connectors & Accessories

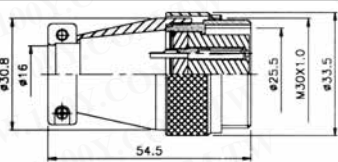
Detailed product specifications are available on: us.100y.com.tw



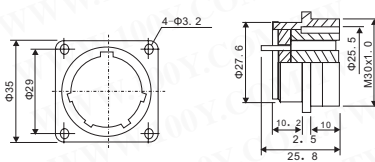
Part No.	Product No.	Manufacturer	Description	Shell Size
6231	PLS-28-Rca	PLT	PLS-28 Series -Industrial Circular Connectors Dust Caps	28mm



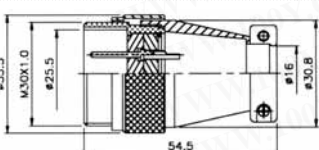
Part No.	Product No.	Manufacturer	Description	M/F Plug/Socket	Rate Current/Voltage	Pins	Shell Size
6259	PLS-2812-PM	PLT	PLS-28 Series -Industrial Circular Connectors	Male Plug	10A/250V	12P	28mm
3190	PLS-2816-PM	PLT	PLS-28 Series -Industrial Circular Connectors	Female Plug	5A/250V	16P	28mm
6304	PLS-2820-PM	PLT	PLS-28 Series -Industrial Circular Connectors	Male Plug	5A/250V	20P	28mm
6153	PLS-2826-PM	PLT	PLS-28 Series -Industrial Circular Connectors	Male Plug	5A/250V	26P	28mm



Part No.	Product No.	Manufacturer	Description	M/F Plug/Socket	Rate Current/Voltage	Pins	Shell Size
6269	PLS-2812-ADF	PLT	PLS-28 Series -Industrial Circular Connectors	Female Plug	10A/250V	12P	28mm
6143	PLS-2816-ADF	PLT	PLS-28 Series -Industrial Circular Connectors	Female Plug	5A/250V	16P	28mm
6299	PLS-2820-ADF	PLT	PLS-28 Series -Industrial Circular Connectors	Female Plug	5A/250V	20P	28mm
6189	PLS-2826-ADF	PLT	PLS-28 Series -Industrial Circular Connectors	Female Plug	5A/250V	26P	28mm



Part No.	Product No.	Manufacturer	Description	M/F Plug/Socket	Rate Current/Voltage	Pins	Shell Size
4830	PLS-2812-RF	PLT	PLS-28 Series -Industrial Circular Connectors	Female Socket	10A/250V	12P	28mm
6287	PLS-2816-RF	PLT	PLS-28 Series -Industrial Circular Connectors	Female Socket	5A/250V	16P	28mm
6293	PLS-2820-RF	PLT	PLS-28 Series -Industrial Circular Connectors	Female Socket	5A/250V	20P	28mm
10033	PLS-2826-RF	PLT	PLS-28 Series -Industrial Circular Connectors	Female Socket	5A/250V	26P	28mm



Part No.	Product No.	Manufacturer	Description	M/F Plug/Socket	Rate Current/Voltage	Pins	Shell Size
6246	PLS-2812-ADM	PLT	PLS-28 Series -Industrial Circular Connectors	Male Plug	10A/250V	12P	28mm
6275	PLS-2816-ADM	PLT	PLS-28 Series -Industrial Circular Connectors	Male Plug	5A/250V	16P	28mm

