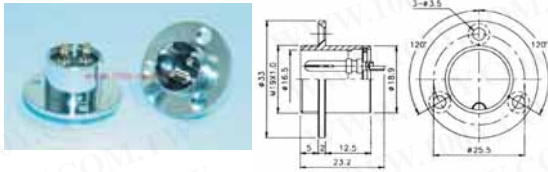




# PLT-19 Series- Industrial Circular Connectors & Accessories

Detailed product specifications are available on: [us.100y.com.tw](http://us.100y.com.tw)

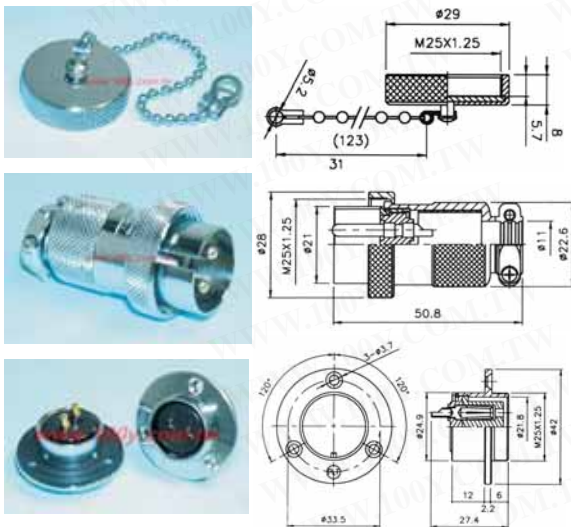


Part No.	Product No.	Manufacturer	Description	Pins	M/F Plug/Socket	Shell Size	Rate Current/Voltage
6300	PLT-192-R	PLT	PLT-19 Series -Industrial Circular Connectors	2P	Male Socket	19mm	7A/250V
6306	PLT-193-R	PLT	PLT-19 Series -Industrial Circular Connectors	3P	Male Socket	19mm	7A/250V
6294	PLT-194-R	PLT	PLT-19 Series -Industrial Circular Connectors	4P	Male Socket	19mm	7A/250V

No. of contacts	2	3	4				
Contacts Configuration							
Rated current/voltage	7A 250V	7A 250V	7A 250V				
Operation limit voltage (AC. V. rms)	250	250	250				
Withstanding voltage (AC. V. rms) 1 minute	1000	1000	1000				
Insulation resistance (MΩ MIN. ) at DC 500V	1000	1000	1000				
Contact resistance (MΩ MAX. ) at DC 1A	3	3	3				
Pin diameter (Φmm)	1.7	1.7	1.7				

# PLT-25 Series- Industrial Circular Connectors & Accessories

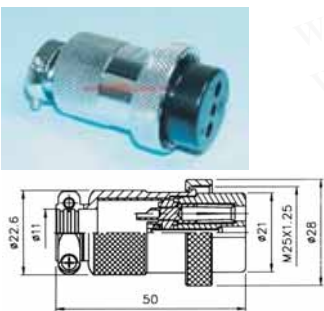
Detailed product specifications are available on: [us.100y.com.tw](http://us.100y.com.tw)



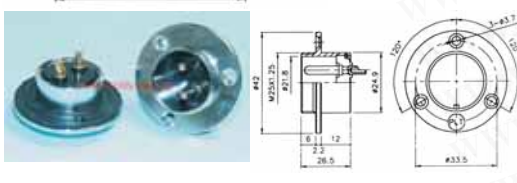
Part No.	Product No.	Manufacturer	Description	Shell Size
6232	PLT-25-Rca	PLT	PLT-25 Series -Industrial Circular Connectors Dust Caps	25mm

Part No.	Product No.	Manufacturer	Description	M/F Plug/Socket	Pins	Shell Size	Rate Current/Voltage
6177	PLT-252-PM	PLT	PLT-25 Series -Industrial Circular Connectors	Male Plug	2P	25mm	10A/250V
9915	PLT-254-PM	PLT	PLT-25 Series -Industrial Circular Connectors	Male Plug	4P	25mm	10A/250V

Part No.	Product No.	Manufacturer	Description	M/F Plug/Socket	Pins	Shell Size	Rate Current/Voltage
6238	PLT-252-RF	PLT	PLT-25 Series -Industrial Circular Connectors	Female Socket	2P	25mm	10A/250V
10617	PLT-254-RF	PLT	PLT-25 Series -Industrial Circular Connectors	Female Socket	4P	25mm	10A/250V



Part No.	Product No.	Manufacturer	Description	M/F Plug/Socket	Pins	Shell Size	Rate Current/Voltage
6178	PLT-252-P	PLT	PLT-25 Series -Industrial Circular Connectors	Female Plug	2P	25mm	10A/250V
6241	PLT-253-P	PLT	PLT-25 Series -Industrial Circular Connectors	Female Plug	3P	25mm	10A/250V
6249	PLT-254-P	PLT	PLT-25 Series -Industrial Circular Connectors	Female Plug	4P	25mm	10A/250V



Part No.	Product No.	Manufacturer	Description	M/F Plug/Socket	Pins	Shell Size	Rate Current/Voltage
6284	PLT-252-R	PLT	PLT-25 Series -Industrial Circular Connectors	Male Socket	2P	25mm	10A/250V
6283	PLT-253-R	PLT	PLT-25 Series -Industrial Circular Connectors	Male Socket	3P	25mm	10A/250V
6245	PLT-254-R	PLT	PLT-25 Series -Industrial Circular Connectors	Male Socket	4P	25mm	10A/250V

