



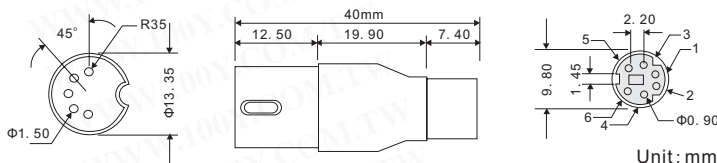
DIN Style connectors Insulated Range-M/F Plugs- Cable Mounting

Detailed product specifications are available on: us.100y.com.tw



DESCRIPTIONS

- A Din plug 5 pin/mini din 6 female
- B Din plug 5 pin/mini din 6 male



Unit: mm

Part No.	Product No.	Description	M/F Plug	Poles	Material	Color
3845	1101-5	DIN Insulated Range-Plugs-Cable Mounting	Male	5P	Tin-Plating	Black
32129	1101-8	DIN Insulated Range-Plugs-Cable Mounting	Male	8P	Tin-Plating	Black



SPECIFICATIONS

- Rating: 100V AC max or 12VDC 2A max
- Insulation resistance: min at 250V DC
- Dielectric strength: 250V AC/1 minute

Part No.	Product No.	Description	M/F Plug	Poles	Material	Color
5309	2002-8	DIN Extension Connector	Female	8P	PVC	Black

DIN PCB Screened Range-PCB Mounting Sockets

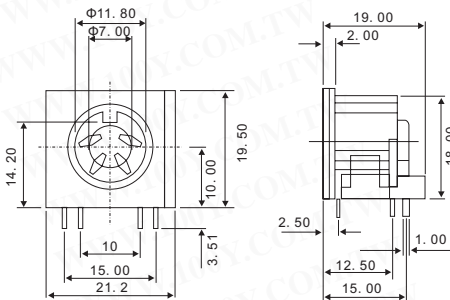
Detailed product specifications are available on: us.100y.com.tw



SPECIFICATION

- Rating: 100VAC 1A max
12 VDC 2A max
- Dielectric withstanding: 500VAC. 60Hz for 1 minute
- Insulation resistance (initial): 100MΩ (min.) at 500V DC
- Contact resistance (initial): 30MΩ (max.) at AC 100mA (max) 1KHz
- Insertion & Extraction force
Initial: 4. 5kg max
- Extraction force: 0. 9 to 3. 0kgs

Part No.	Product No.	Description	Pins	Type	Color
10272	2003-5	DIN PCB Mounting Sockets 5P	5P	Female	Black



Unit: mm



MATERIAL

- Insulator: Thermoplastic PBT black, UL94V-0
- Contact: Phosphor bronze
- Shield: copper alloy

Part No.	Product No.	Description	Pins	Type	Material	Color
3891	2004-5	DIN Screened Range-Classic Mounting-Socket	5P	Female	Tin-Plated	Black

SPECIFICATION

- Rating: 100VAC 1A max
12VAC 2A max
- Dielectric withstanding: 500VAC. 60Hz for 1 minute
- Insulation resistance (initial): 100MΩ (min) at 500V DC
- Contact resistance (initial): 39MΩ max. at AC 100mA (max) 1KHz
- Insertion & Extraction force
Initial: 4. 5kg max
- Extraction force: 0. 9 to 3. 0 kgs



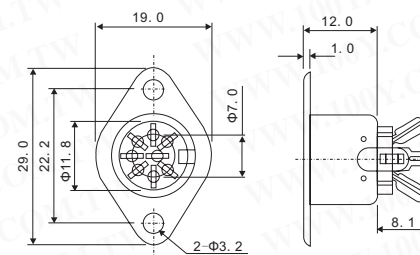
SPECIFICATION

- Rating: 100VAC 1A max
12VAC 2A max
- Dielectric withstanding: 500VAC. 60Hz for 1 minute
- Insulation resistance (initial): 100MΩ (min) at 500V DC
- Contact resistance (initial): 39MΩ max. at AC 100mA (max) 1KHz
- Insertion & Extraction force
Initial: 4. 5kg max
- Extraction force: 0. 9 to 3. 0 kgs

MATERIAL

- Insulator: Thermoplastic PBT black, UL94V-0
- Contact: Phosphor bronze
- Shield: copper alloy

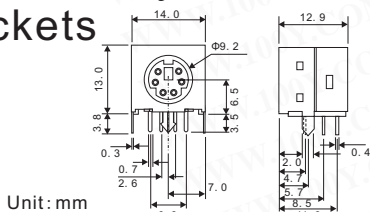
Part No.	Product No.	Description	Pins	Type	Material	Color
5306	2004-8	Din Weld-Type Socket	8P	Female	Tin-Plated	Black



Unit: mm

Mini-DIN Connectors Circular, High Density- PCB Mounting Sockets

Detailed product specifications are available on: us.100y.com.tw



Unit: mm

Shielded Double mini-DIN PCB Mount Socket

Part No.	Product No.	Description	Pins	Color
40736	DN-508B-6C-L	Shielded Double mini-DIN PCB Mount Socket	6P	Purple

