



RF/COAXIAL-CONNECTORS & TOOLS

Flat Cable Type Metal Shell and All Plastic

Detailed product specifications are available on: us.100y.com.tw



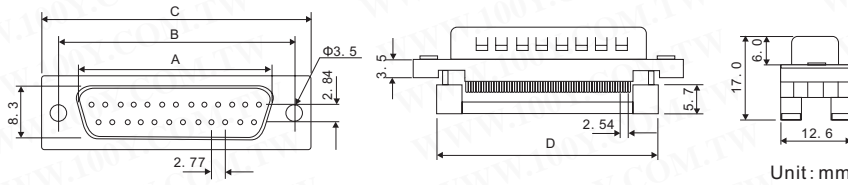
ELECTRICAL CHARACTERISTICS

- Current rating: 1Amp
- Insulator resistance: 5000MΩ Min at DC 500V
- Contact resistance: 20MΩ Max at DC 100mA
- Operating temperature: -55°C~+105°C

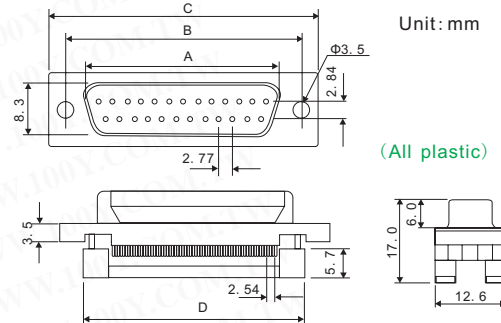
MATERIAL

- Housing: 30% glass filled PBT UL94V-0
- Contacts: brass

(With metal shell)



Circuits	A	B	C	D	E
9	16.92	25	30.8	21.8	12.08
15	25.25	33.3	39.2	29.6	19.7
25	38.96	47.1	53.1	43.3	32.4
37	55.42	63.5	69.4	59.9	47.72



Part No.	Product No.	Description
4379	E12-09P	Flat Cable Type Metal Shell And All Plastic (9 Pins)
4381	E12-15P	Flat Cable Type Metal Shell And All Plastic (15 Pins)
3747	E12-25P	Flat Cable Type Metal Shell And All Plastic (25 Pins)
4382	E12-37P	Flat Cable Type Metal Shell And All Plastic (37 Pins)



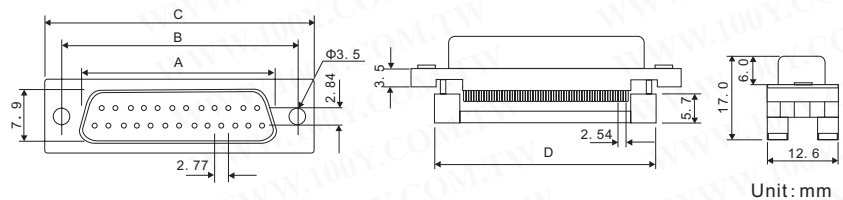
ELECTRICAL CHARACTERISTICS

- Current rating: 1Amp
- Insulator resistance: 5000MΩ Min at DC 500V
- Contact resistance: 20MΩ Max at DC 100mA
- Operating temperature: -55°C~+105°C

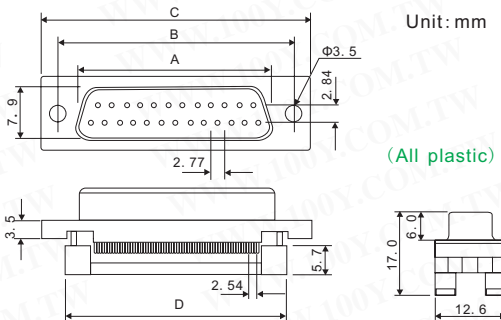
MATERIAL

- Housing: 30% glass filled PBT UL94V-0
- Contacts: brass

(With metal shell)



Circuits	A	B	C	D	E
9	16.33	24.99	30.90	21.80	12.08
15	25.66	33.32	39.20	29.60	19.70
25	38.38	47.07	53.10	43.30	32.40
37	55.42	63.50	69.50	59.90	47.72



Part No.	Product No.	Description
3756	E13-09P	Flat Cable Type Metal Shell And All Plastic (9 Pins)
4374	E13-15P	Flat Cable Type Metal Shell And All Plastic (15 Pins)
4376	E13-25P	D-Subminiature 90°, PC Mount connectors (25 Pins)
2321	E13-37P	Flat Cable Type Metal Shell And All Plastic (37 Pins)

High Density 90°+180°

Detailed product specifications are available on: us.100y.com.tw

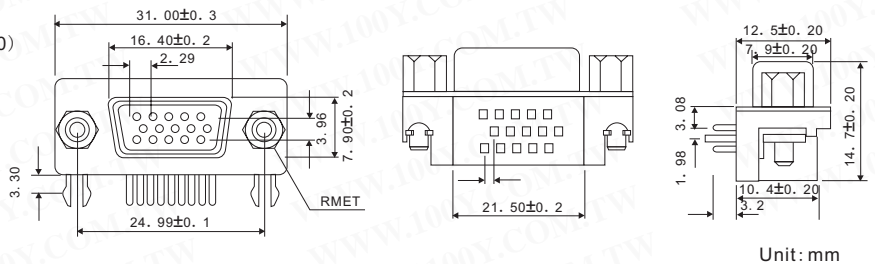


MATERIAL

- Contact: brass
- Insulator: P. B. T+ (UL94V-0)
- Shell: steel

SPECIFICATION

- Current rating: 3A
- Withstanding voltage: 1000VAC (1 minute)
- Insulation resistance: 5000 megohms min
- Contact resistance: 25 miliohms max
- Operating temperature: -55°C to +105°C



Part No.	Product No.	Description
1978	541-15	High Density 90°, PC Mount Connectors (3 Rows)

