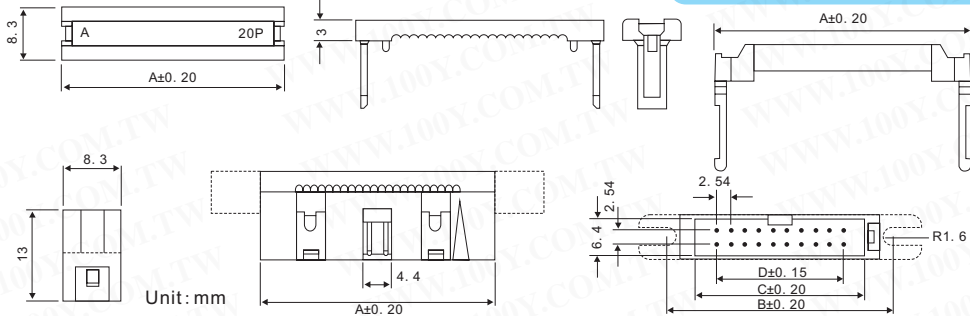




# RF / COAXIAL - CONNECTORS & TOOLS

## 2.54mm IDC Flat Cable Male Plugs

Detailed product specifications are available on: [us.100y.com.tw](http://us.100y.com.tw)



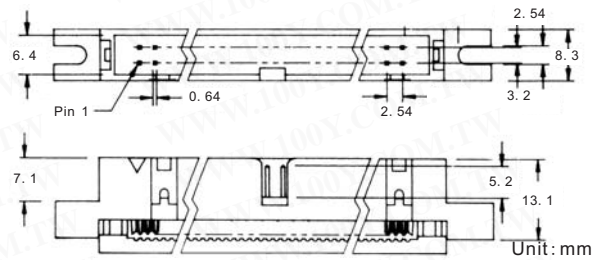
Position	A	B	C	D
10	22.98	27.94	17.93	10.16
14	28.10	33.02	22.93	15.24
16	30.64	35.56	25.55	17.78
20	35.70	40.64	30.56	20.86
26	43.06	48.26	38.20	30.48
30	48.44	53.34	43.40	35.56
34	53.38	58.42	48.30	40.64
40	60.96	66.04	56.06	48.26
50	73.72	78.74	68.70	60.96
60	86.44	91.44	81.34	73.66
64	91.46	96.52	86.43	78.74

Part No.	Product No.	Description	Contacts
13969	D09-10P	2.54mm IDC Flat Cable Male Plugs	64P
28759	D09-14P	2.54mm IDC Flat Cable Male Plugs	14P
28760	D09-16P	2.54mm IDC Flat Cable Male Plugs	16P
28761	D09-20P	2.54mm IDC Flat Cable Male Plugs	20P
28762	D09-26P	2.54mm IDC Flat Cable Male Plugs	26P
28763	D09-30P	2.54mm IDC Flat Cable Male Plugs	30P
12062	D09-34P	2.54mm IDC Flat Cable Male Plugs	34P
28764	D09-40P	2.54mm IDC Flat Cable Male Plugs	40P
28765	D09-50P	2.54mm IDC Flat Cable Male Plugs	50P
28766	D09-60P	2.54mm IDC Flat Cable Male Plugs	60P
28767	D09-64P	2.54mm IDC Flat Cable Male Plugs	64P



### SPECIFICATION

- Current rating: 1A
- Dielectric withstanding voltage: AC 500V for 1 minute
- Insulation resistance: 1000Megohms Min at DC 500V
- Contact resistance: 30 Milliohms Max
- Operating temperature: -55°C to +105°C
- Contact: brass: gold flash
- Insulator: PBT+30% glass (UL 94V-0). Gray



Part No.	Product No.	Description	Contacts
30387	D09-10PE	2.54mm IDC Flat Cable Male Plugs	10P
30386	D09-14PE	2.54mm IDC Flat Cable Male Plugs	14P
30385	D09-16PE	2.54mm IDC Flat Cable Male Plugs	16P
30384	D09-20PE	2.54mm IDC Flat Cable Male Plugs	20P
30383	D09-26PE	2.54mm IDC Flat Cable Male Plugs	26P
30382	D09-30PE	2.54mm IDC Flat Cable Male Plugs	30P
30381	D09-34PE	2.54mm IDC Flat Cable Male Plugs	34P
30380	D09-40PE	2.54mm IDC Flat Cable Male Plugs	40P
30379	D09-50PE	2.54mm IDC Flat Cable Male Plugs	50P
30378	D09-60PE	2.54mm IDC Flat Cable Male Plugs	60P
30377	D09-64PE	2.54mm IDC Flat Cable Male Plugs	64P

## 3M\_2.54mm IDC Flat Cable Male Plugs

Detailed product specifications are available on: [us.100y.com.tw](http://us.100y.com.tw)

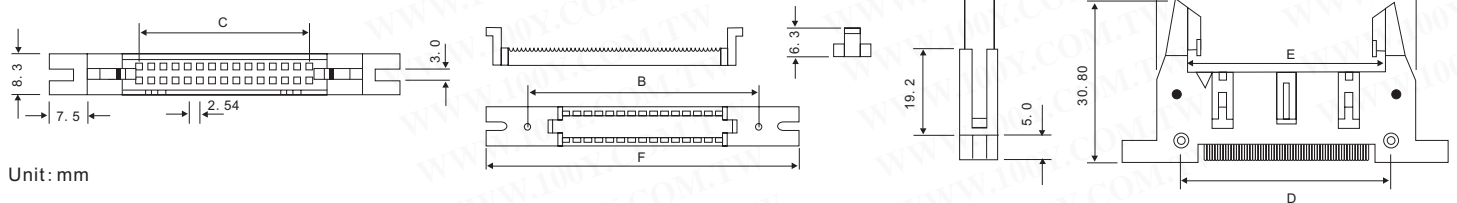


### SPECIFICATION

- Current rate: 1Amp
- Insulation resistance: 1000MΩ Min at 500V DC
- Contact resistance: 10MΩ Max
- Dielectric voltage: 500V AC for one minute
- Operation temperature: -40°C to +105°C

### MATERIAL

- Insulator: 30% glass fiber PBT
- Contact pin: copper alloy



Part No.	Product No.	Manufacturer	Description	Contacts
16824	4234-0000LCSC/-0300	3M	2.54mm IDC Flat Cable Male Plugs	34P

